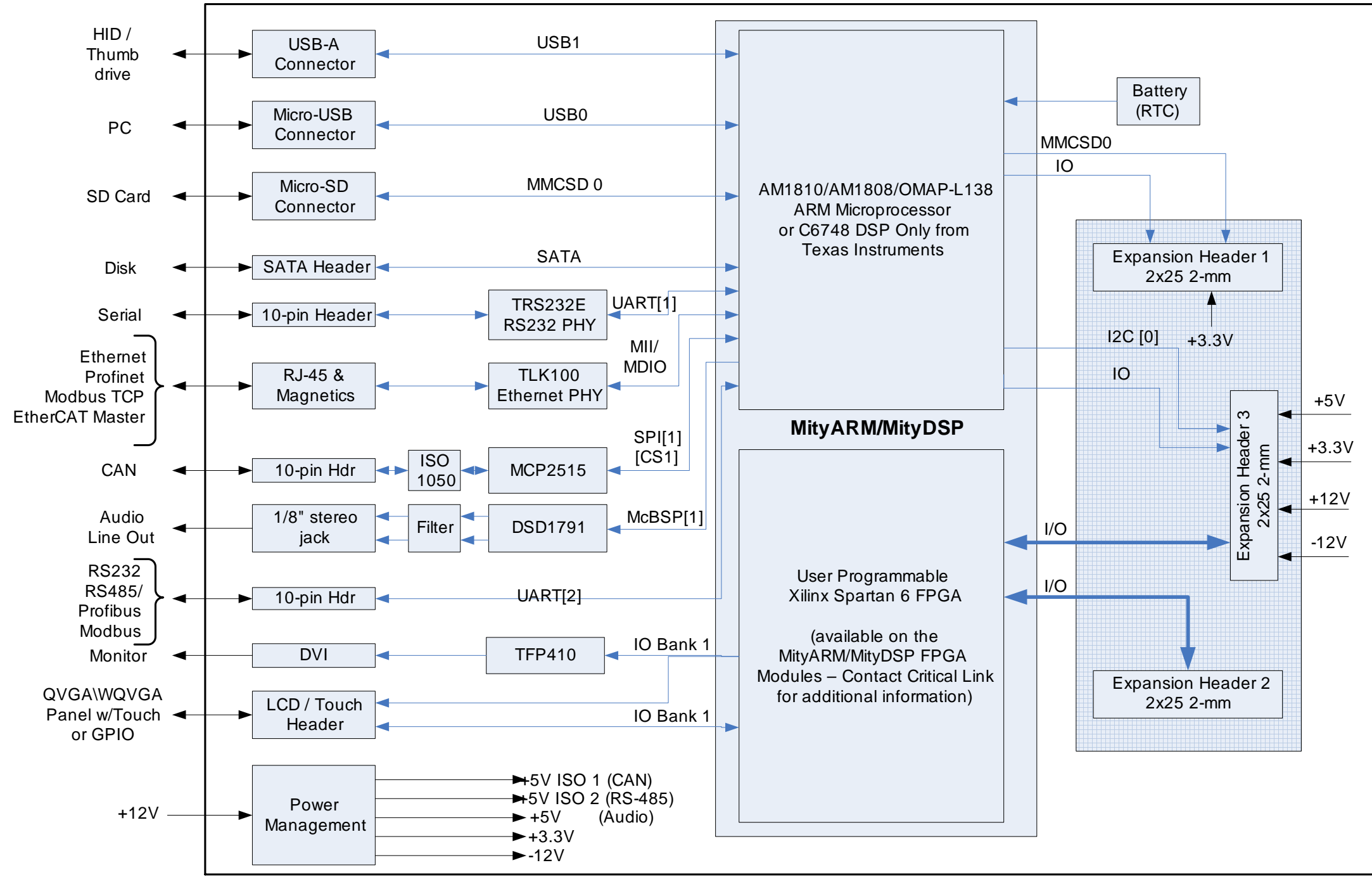


Industrial IO Development Kit Block Diagram

REV	DESCRIPTION	ECR No	INITIALS	DATE
1C		265	AC	7/9/10
2A		352	AC	4/21/11
2B		370	AC	6/30/11
2C	addressing parts obsolescence in Rev_2B	429	AC	11/7/12
3A	depopulated R110	740	HL	9/24/2014



LBL1
PCA LABEL
 PCA Label
 80-000268RI-3_RevA
 LBL2
LOT CODE LABEL
 LOT CODE
PCB # 90-000107R-3_RevA
 PN-PCB1

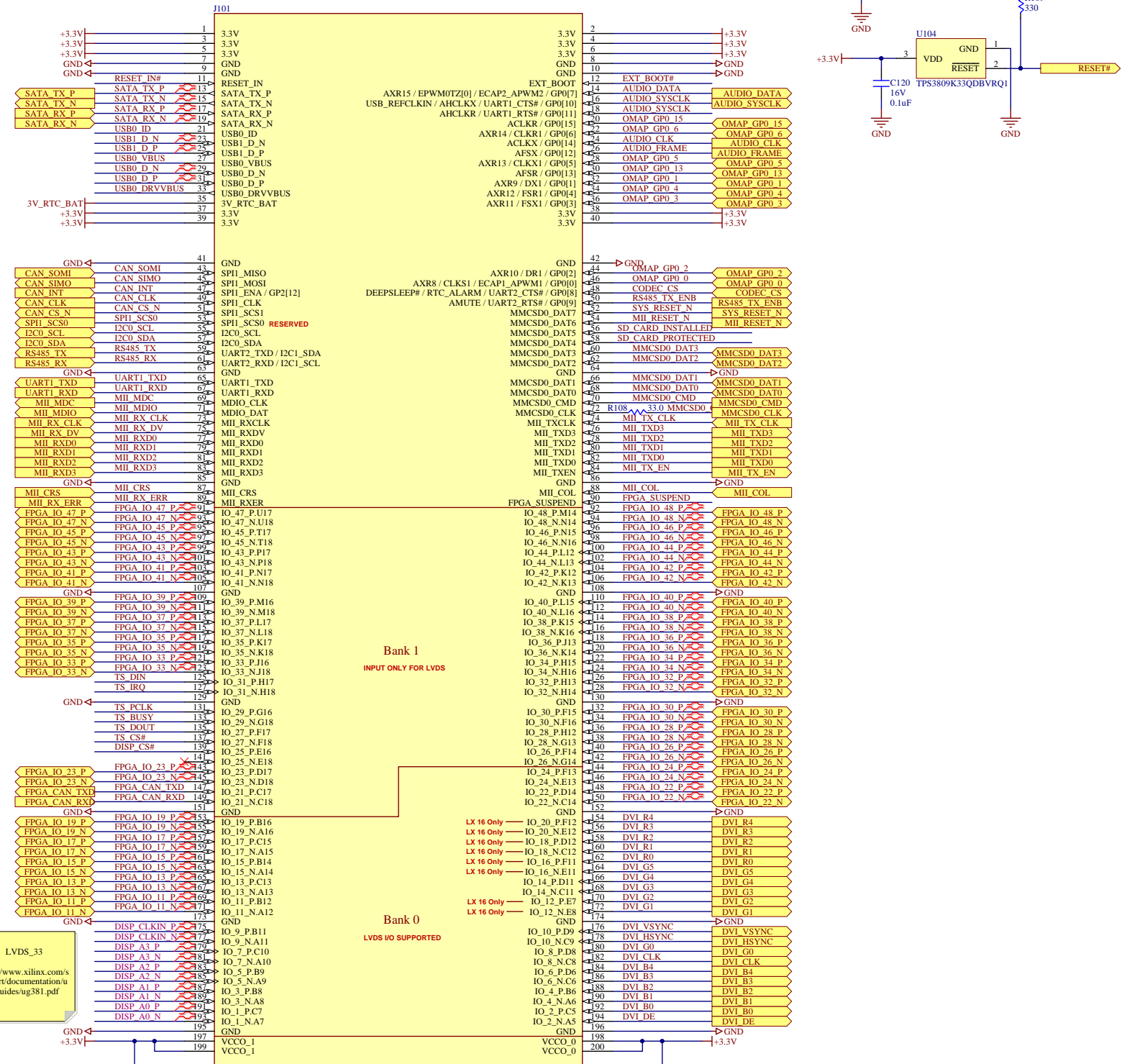
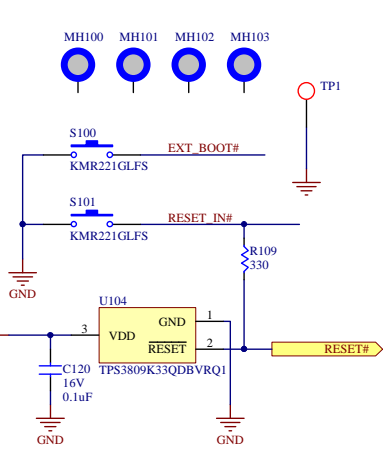
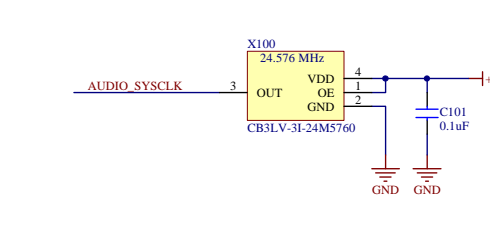
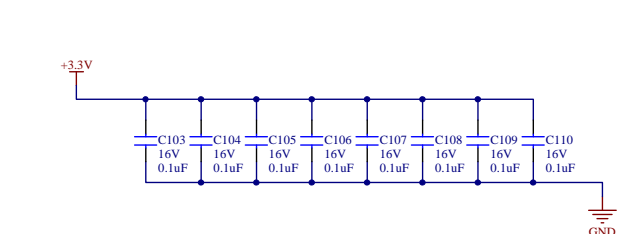
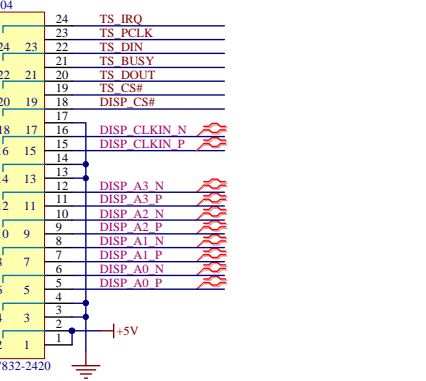
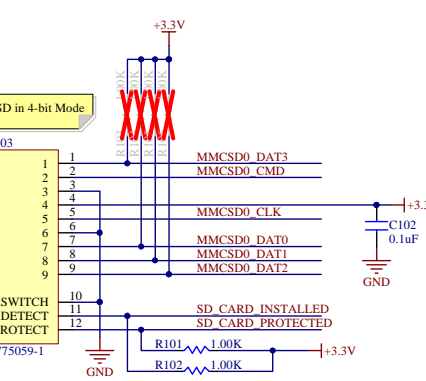
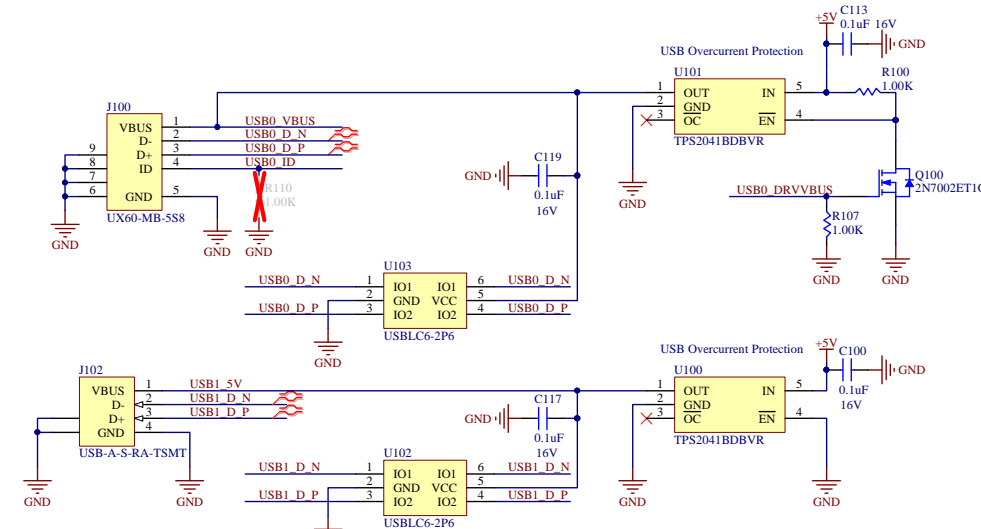
USB OTG

USB Host

SD Card

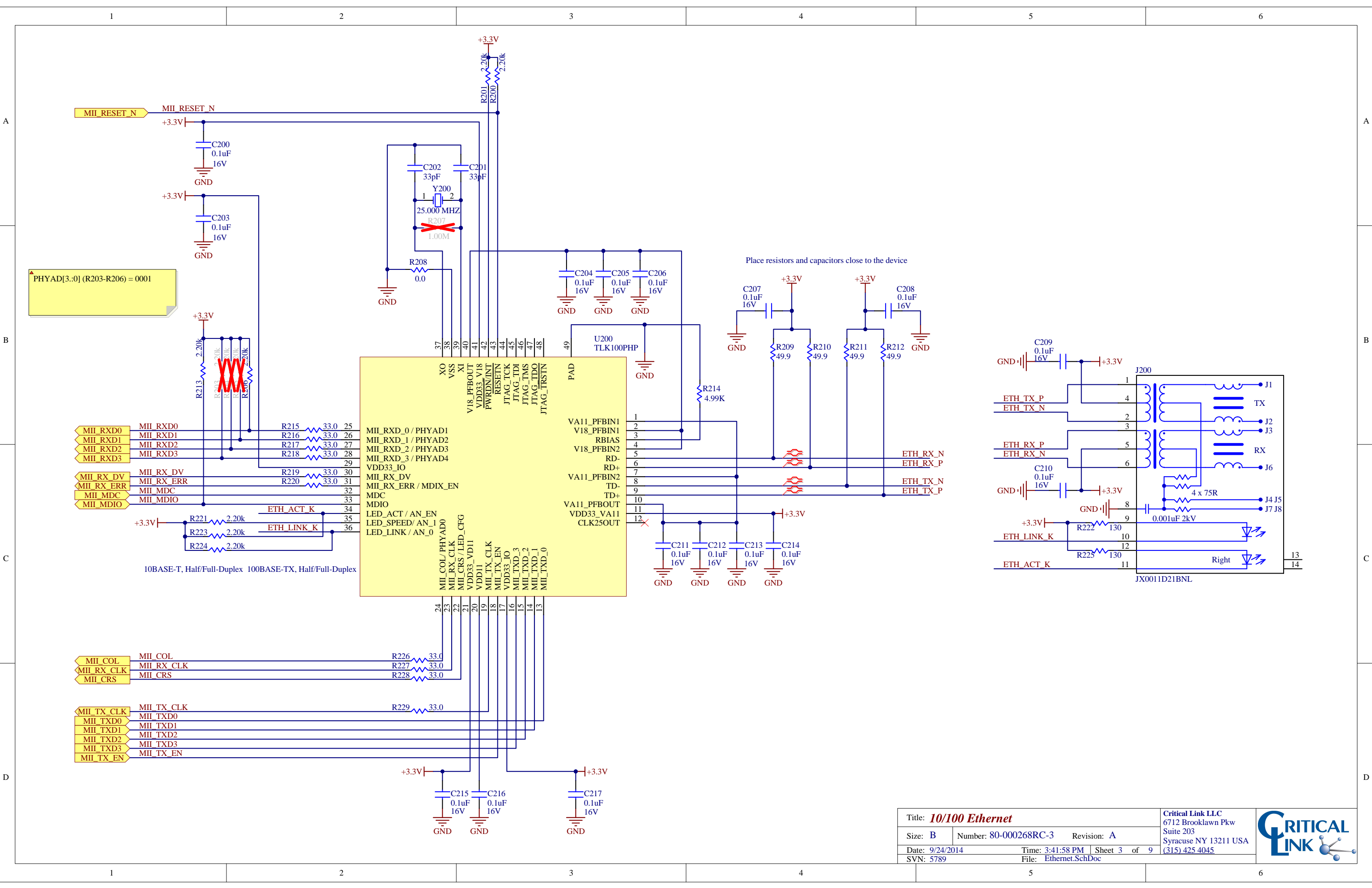
Mity OLED Interface

MityOMAP_Interface_wpg



LVDS_33
http://www.xilinx.com/support/documentation/user_guides/ug381.pdf

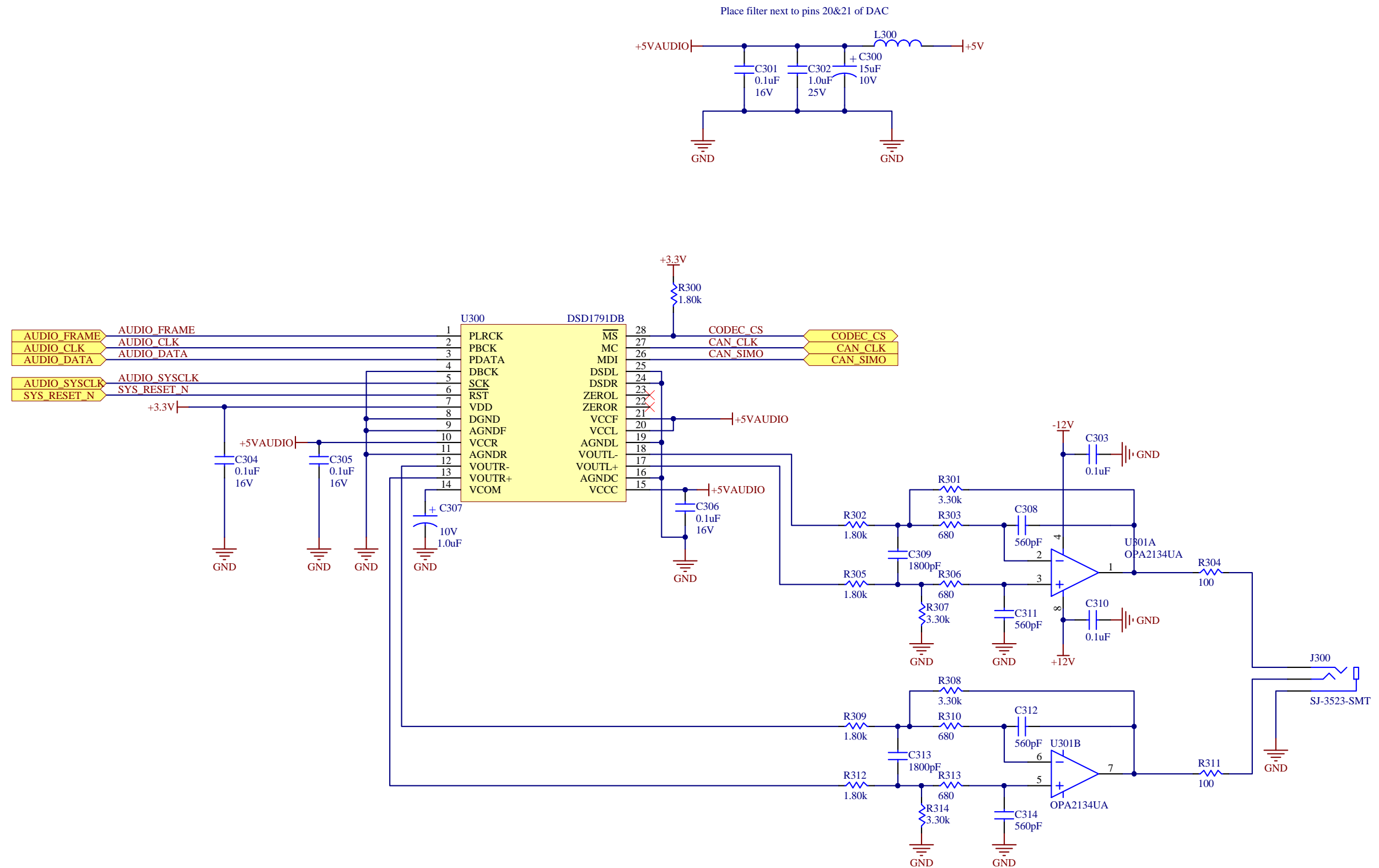




PHYAD[3:0] (R203-R206) = 0001

Place resistors and capacitors close to the device





Title: Audio DAC		Critical Link LLC 6712 Brooklawn Pkw Suite 203 Syracuse NY 13211 USA (315) 425 4045	
Size: B	Number: 80-000268RC-3	Revision: A	
Date: 9/24/2014	Time: 3:41:59 PM	Sheet 4 of 9	
SVN: 5789	File: Audio.SchDoc		



A

B

C

D

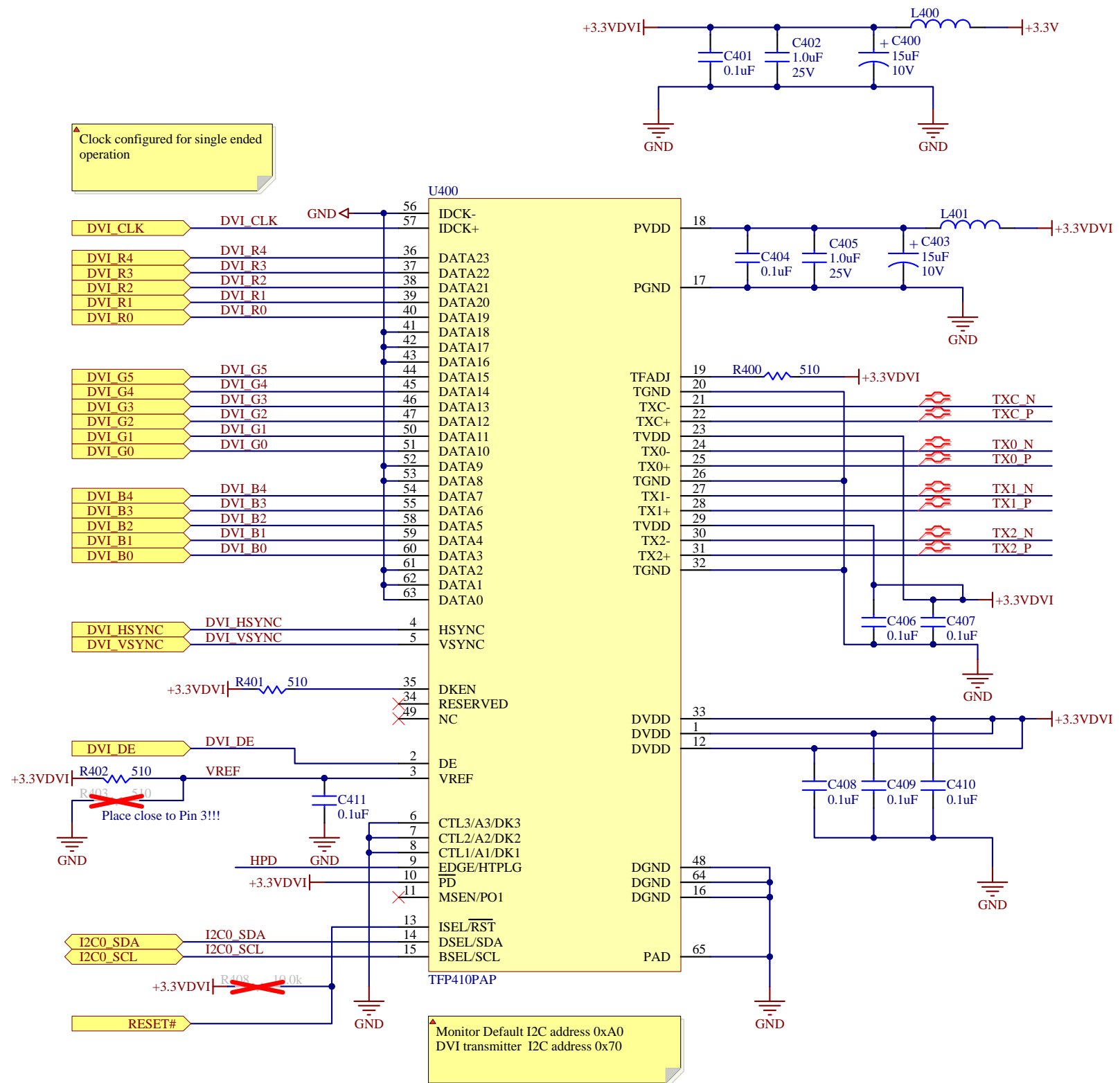
A

B

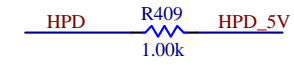
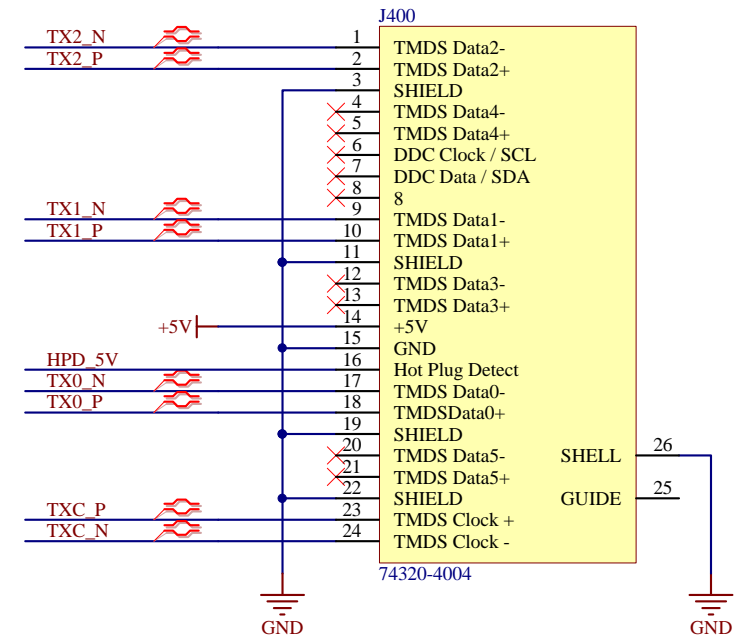
C

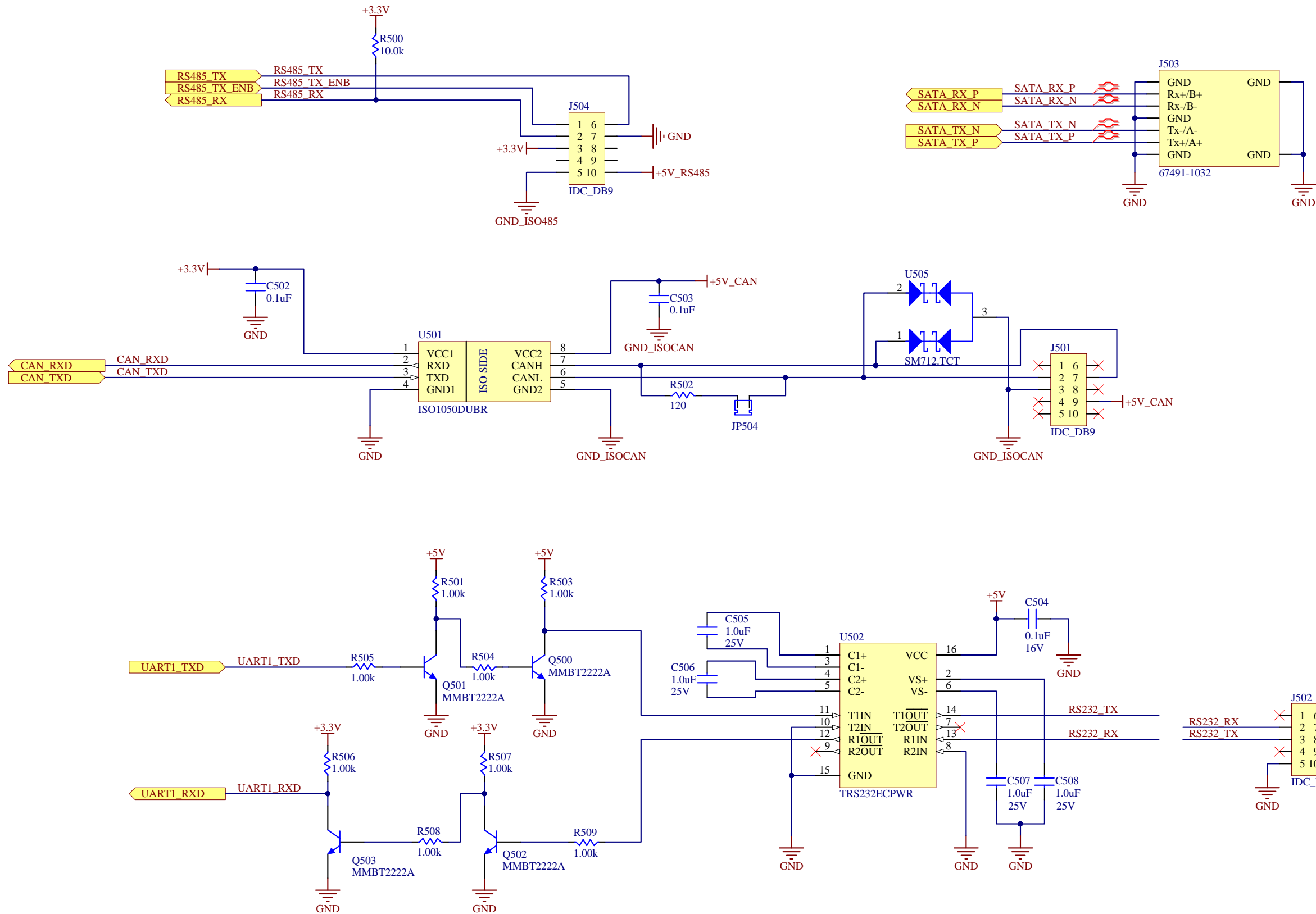
D

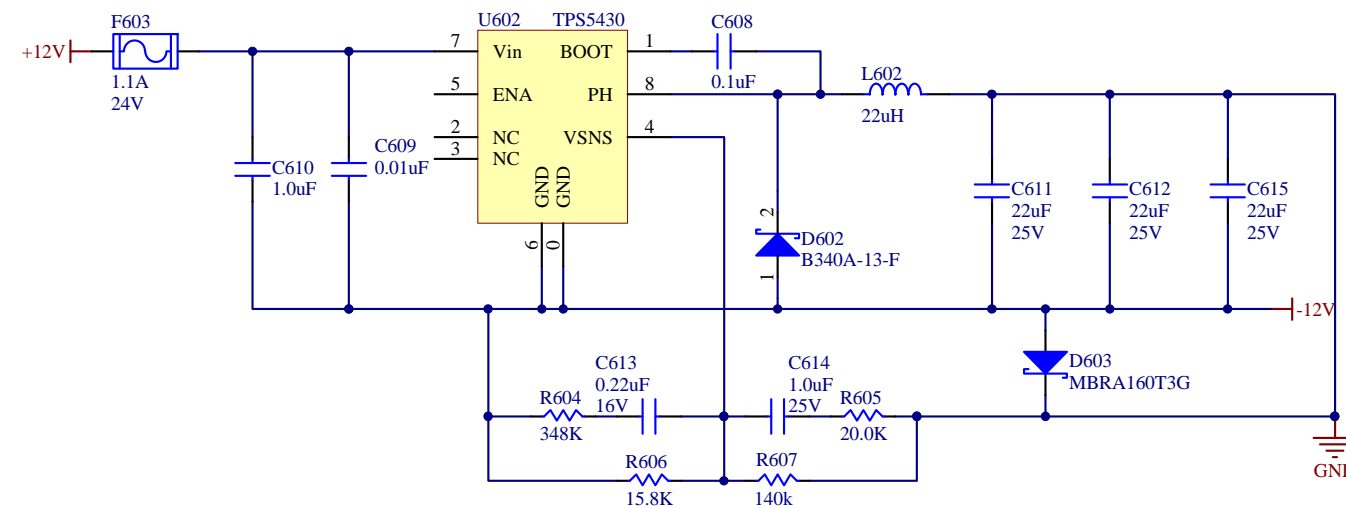
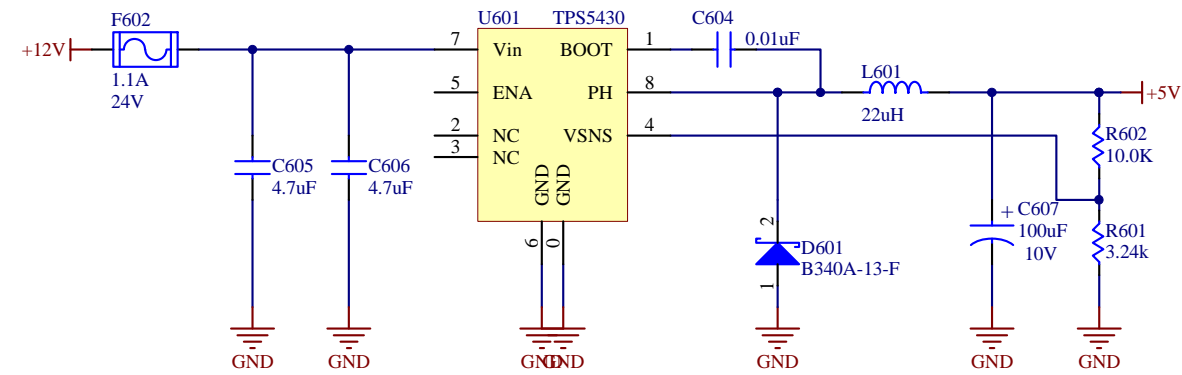
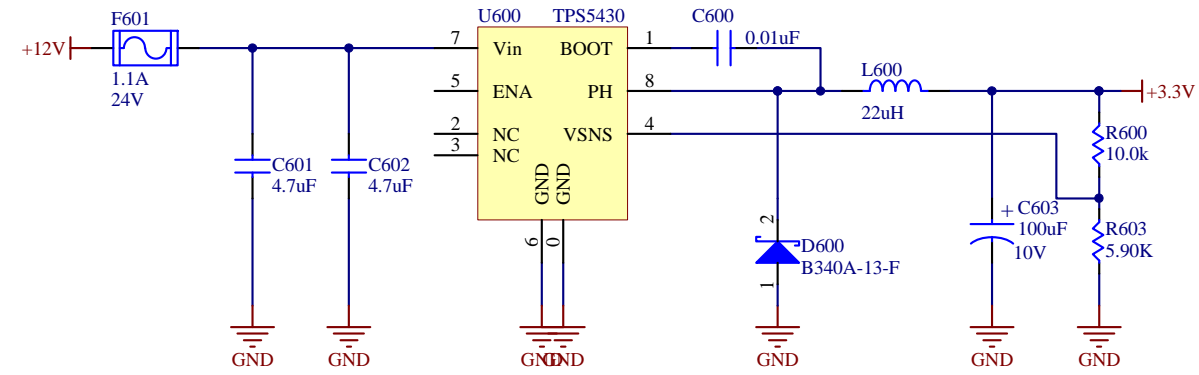
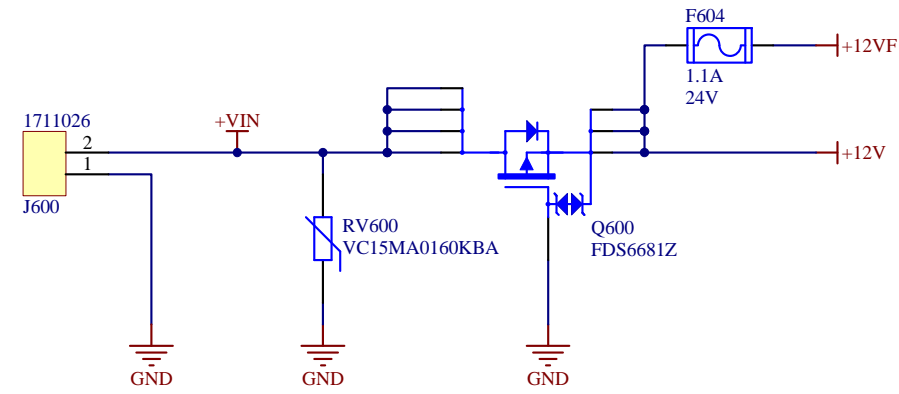
Clock configured for single ended operation



Monitor Default I2C address 0xA0
DVI transmitter I2C address 0x70







Title: **Power Converters**

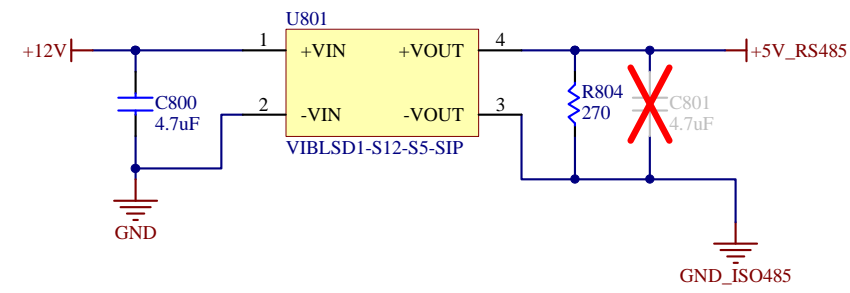
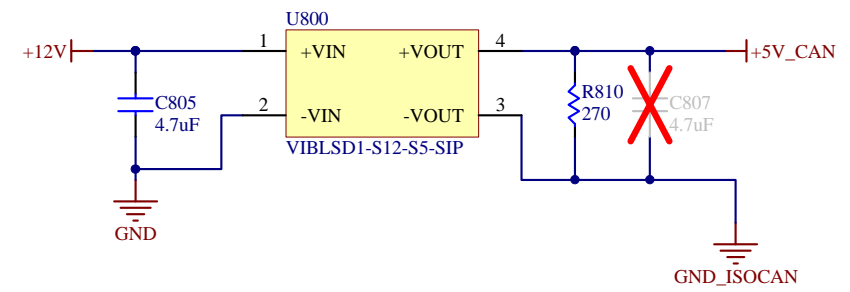
Size: **B** Number: 80-000268RC-3 Revision: **A**

Date: 9/24/2014 Time: 3:42:00 PM Sheet 7 of 9

SVN: 5789 File: Power.SchDoc

Critical Link LLC
6712 Brooklawn Pkw
Suite 203
Syracuse NY 13211 USA
(315) 425 4045





Title: Isolated Power Supply		Critical Link LLC 6712 Brooklawn Pkw Suite 203 Syracuse NY 13211 USA (315) 425 4045	
Size: B	Number: 80-000268RC-3	Revision: A	
Date: 9/24/2014	Time: 3:42:00 PM	Sheet 9 of 9	
SVN: 5789	File: IsoPower.SchDoc		



1

2

3

4

5

6

A

A

B

B

C

C

D

D

1

2

3

4

5

6

FPGA IO

